

Dongguan Merrock Industry Co.,Ltd

Contactor: Lucy Luo Tel: 86-769-23291955 Mobile:86-13217696818

E-Mail: dgmerrock@hotmail.com lucy@merrock.com Web: www.stonerfloorpolisher.com



INSTRUCTIONS FOR USE

POLISHING MACHINE



■ S12-600

S12-650

S12-800

■ PLEASE BE SURE TO READ THIS MANUAL BEFORE STARTING YOUR OPERATION



Dongguan Merrock Industry Co.,Ltd

Contact: Lucy Luo Tel: 86-769-23291955 Mobile:86-13217696818

E-Mail: dgmerrock@hotmail.com lucy@merrock.com Web: www.stonerfloorpolisher.com

Catalogue

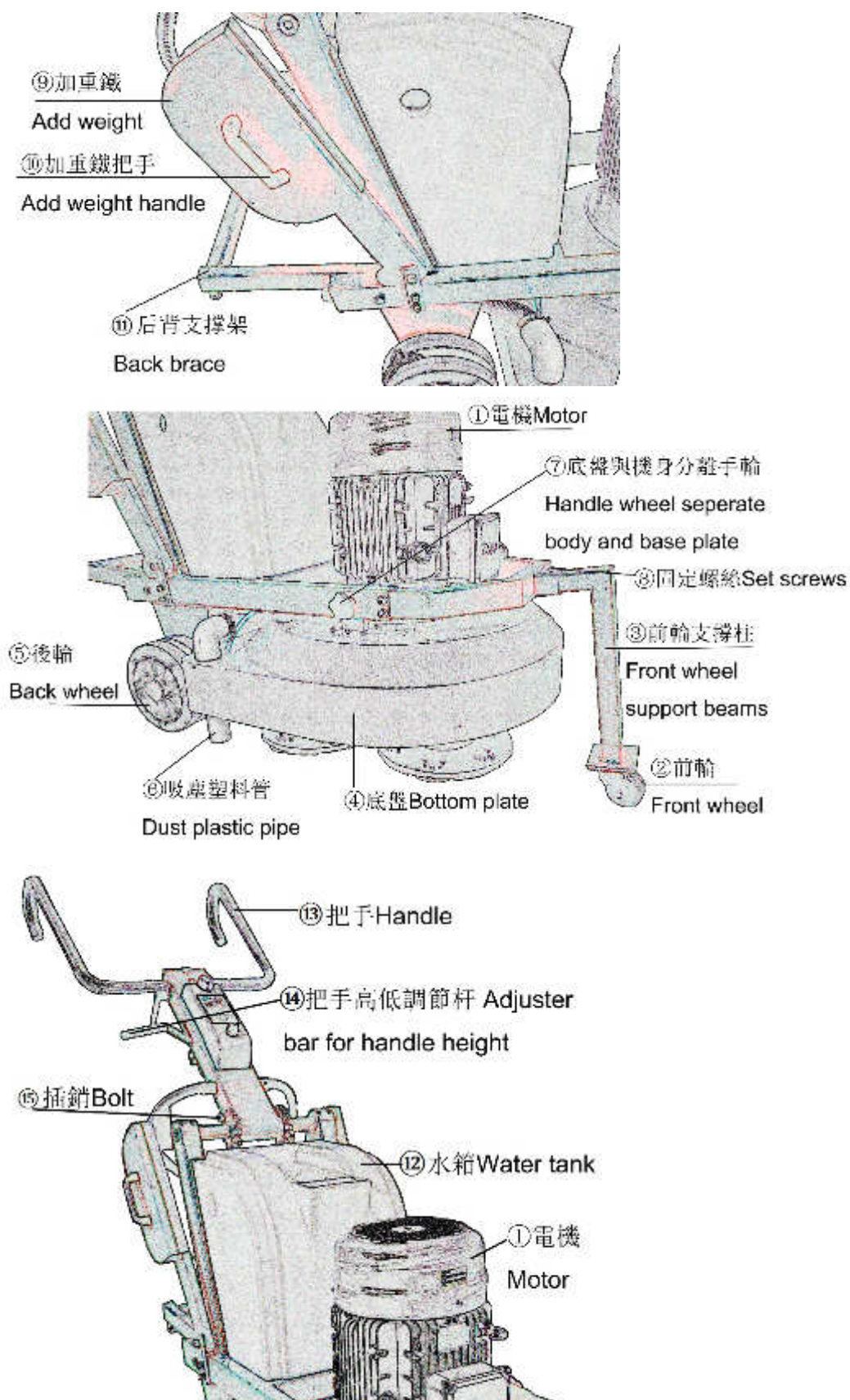
1. Parts description picture
-----02-04
2. Function and feature
-----04
3. Transport instruction
-----04
4. Machine specification
-----05
5. Operation instruction
-----05
6. Attention for using
-----05-07

Dongguan Merrock Industry Co.,Ltd

Contactor: Lucy Luo Tel: 86-769-23291955 Mobile:86-13217696818

E-Mail: dgmerrock@hotmail.com lucy@merrock.com Web: www.stonerfloorpolisher.com

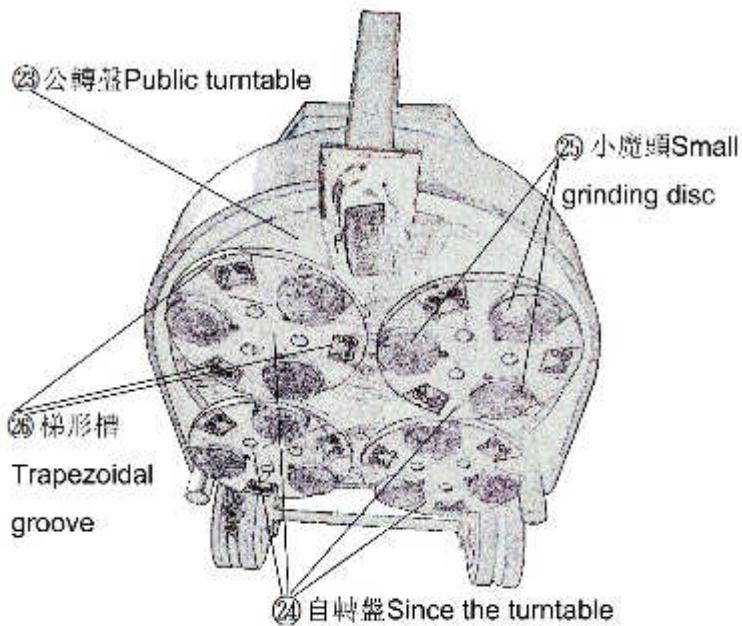
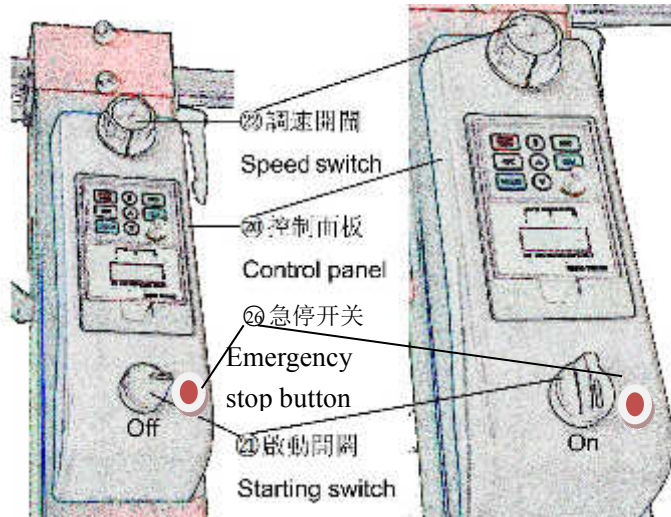
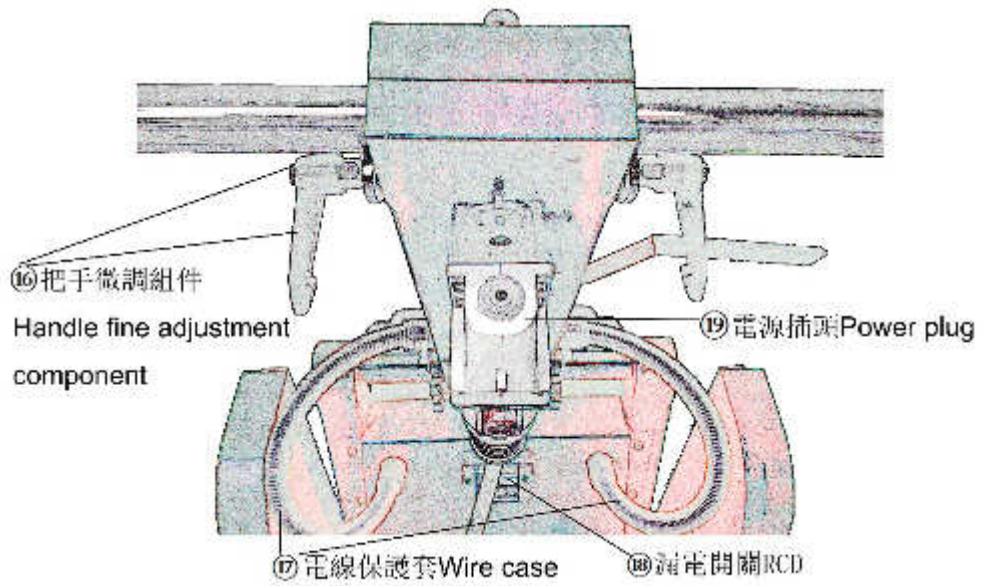
1. Parts Description Picture



Dongguan Merrock Industry Co.,Ltd

Contactor: Lucy Luo Tel: 86-769-23291955 Mobile:86-13217696818

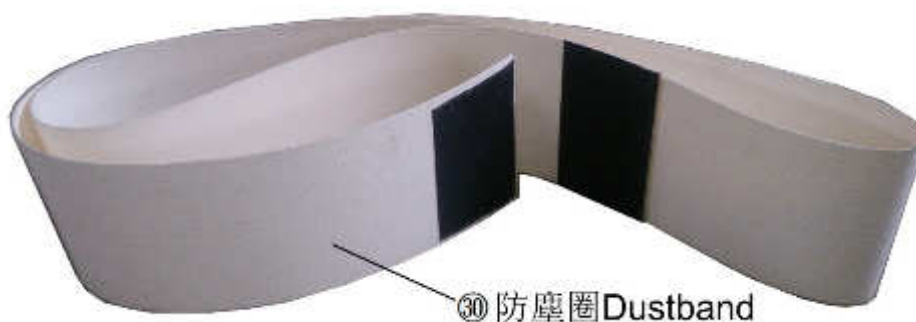
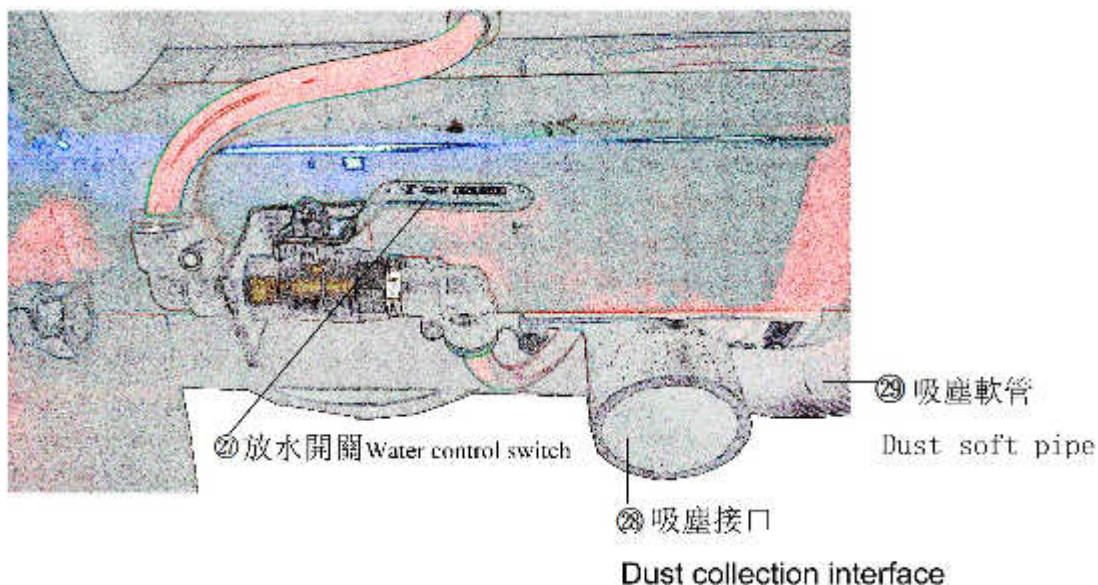
E-Mail: dgmerrock@hotmail.com lucy@merrock.com Web: www.stonefloorpolisher.com



Dongguan Merrock Industry Co.,Ltd

Contactor: Lucy Luo Tel: 86-769-23291955 Mobile:86-13217696818

E-Mail: dgmerrock@hotmail.com lucy@merrock.com Web: www.stonerfloorpolisher.com



2. Function and feature:

- The products are specialized for marble, granite, artificial stone, waterstone etc stone floor, they are the advanced construction equipment specialize in renewing, grinding, polishing the floor.

They are high in efficiency and low in labor intensity.

- Simple operation, good construction effect, aesthetic, durable, low rate damage and humanistic operation.
- Planetary-type device, double layer gear.

3. Transport Instruction:

The product occupy rarely space with foldable design for handle, match with detachable front wheel and support beams, convenient to push walking when carrying.

Dongguan Merrock Industry Co.,Ltd

Contact: Lucy Luo Tel: 86-769-23291955 Mobile:86-13217696818

E-Mail: dgmerrock@hotmail.com lucy@merrock.com Web: www.stonerfloorpolisher.com

4. Machine specification:

Type: S12-600
Power: 10HP/7.5KW
Voltage: 380V
Inverter: 15HP/11KW
Output speed: 0-1500rpm
Autorotation rate: 0-1250
Revolution speed: 0-320
Grinding plate: 4pcs
Grinding discs: 12pcs
Work width: 600 mm
Water tank: 30L
Weight: 310kgs

Type: S-X12-800
Power: 15HP/11KW
Voltage: 380V
Inverter: 20HP/15KW
Output speed: 0-1500rpm
Autorotation rate: 0-1250
Revolution speed: 0-320
Grinding plate: 4pcs
Grinding discs: 12pcs
Work width: 800 mm
Water tank: 30L
Weight: 450kgs

Type	S12-650-220B	S12-650-380B	S12-650-380B
Voltage	220V	380V	380V
Motor Power	7.5KW	9.5KW	11KW
Inverter Power	7.5KW	11KW	11KW/15KW
Work Area	650mm	650mm	650mm
Self Rotation	0-1250rpm/m	0-1250rpm/m	0-1250rpm/m
Revolution Speed	0-320rpm/m	0-320rpm/m	0-320rpm/m
Discs	12 pcs	12 pcs	12 pcs
Water tank	30L	30L	30L
Weight	340kg	350kg	355kg

5. Operation instruction

1. Fix the grinding disc, please put the handle in horizontal position, press the handle down by power to make the bottom disc tilting, and the grinding disc turn up, and stick the grinding pads on.
2. Lay the machine back to the floor slowly to let the grinding pads reach the floor. (Please lay lightly).
3. Remove the front wheel and the support beams, put the add weight down to the back of the machine, wear the dust band.
4. Fix the power supply wire. (Safety operation)
5. Pull and push the height adjuster bar to adjust the handle in a proper position for operation, if the position is still not good, you could remove the handle fine adjustment component to adjust the handle.
6. Turn on the water switch when need water, if you would like to dry grinding, please connect the outside dust collect..
7. Turn on the power supply switch and the machine begin to work.
8. Stop the run of machine for changing the grinding pads.

Dongguan Merrock Industry Co.,Ltd

Contact: Lucy Luo Tel: 86-769-23291955 Mobile:86-13217696818

E-Mail: dgmerrock@hotmail.com lucy@merrock.com Web: www.stonerfloorpolisher.com

6.Attention for using

Warning: To safely use the machine, please take care and comply with below mention;

Don't let person who can't understand and operate correctly; Take the instructions with machine often.

1.Before operation

- A. Under the condition of rainy outside, wet place and place where the water and oil easily come into the interior of machine, please don't use the machine utterly to avoid getting an electric shock accident.
- B. Before operation, please confirm: Any damage for wire, combination of the switch, tightness of the plug, the fix condition of all parts snail; Type of grinding pads, condition of the wear and tear and so on.
- C. This machine is used for grinding machine-finishing, especially can't use in the very irregularity ground, if use it, abnormal shake come up is reason of machine starting to break down. And when use in the very rugged ground, the machine will lose balance, and result in the accident.

2.Wire connect

No matter the power supply is three phase 380V high voltage or 220V frequency conversion equipment, the connection of power supply and wire please follow below attention to make sure utterly don't get an electric shock accident.

- A. Person who connects the power supply and wire, wiring and earthing must get the certificate of electrical equipment operation.
- B. Person who connects the power supply and wire, wiring and earthing must wear the insulated rubber glove, and turn off the power supply after operation.
- C. While use the naked transfer socket of standard accessories, to avoid getting an electric shock accident must assuredly connect the ground wire well.

3.Operation

- A. While operation, to keep safe must wear safety helmet and safety shoes, in addition, use veil and earplug according the operation condition.
- B. Non-against exploding construction, so absolutely don't put the tinder of petrol, thinner and gas etc beside.
- C. Regarding the noise, please comply with relative rules in local, don't incommode around.

Dongguan Merrock Industry Co.,Ltd

Contact: Lucy Luo Tel: 86-769-23291955 Mobile:86-13217696818

E-Mail: dgmerrock@hotmail.com lucy@merrock.com Web: www.stonerfloorpolisher.com

- D. Absolutely don't touch the motor when operate, otherwise it's easy to scald; don't touch the whet heads, it's very hot too.
- E. Expendable such as grinding pads use our products or the appointed products by our company, danger of damaging the capability of machine and disrepair etc. if use other products; badly it will injure operator's body. So the accident happen when use other company's accessories, it not belong the range of product quality.
- F. If find bad running, and usual condition during using the machine, stops
operating shortly, examine and repair it after confirming the safety.
- G. Inverter machine, please make sure you check the circuit before use, such as a circuit is short, the motor has noise, if not timely shutdown, the engine will be quickly burned. It is not in the free warranty if not belong the range of our quality problems.

Please do replace the magnet that on the since the turntable every half year to avoid accident when the magnetism become weak.